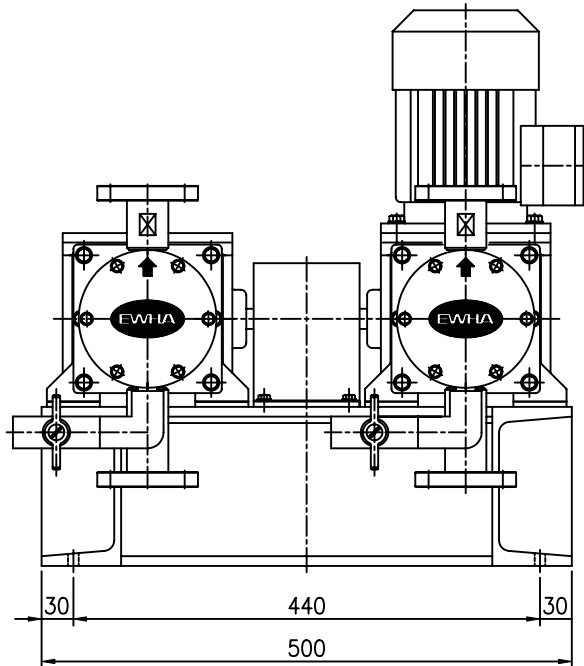
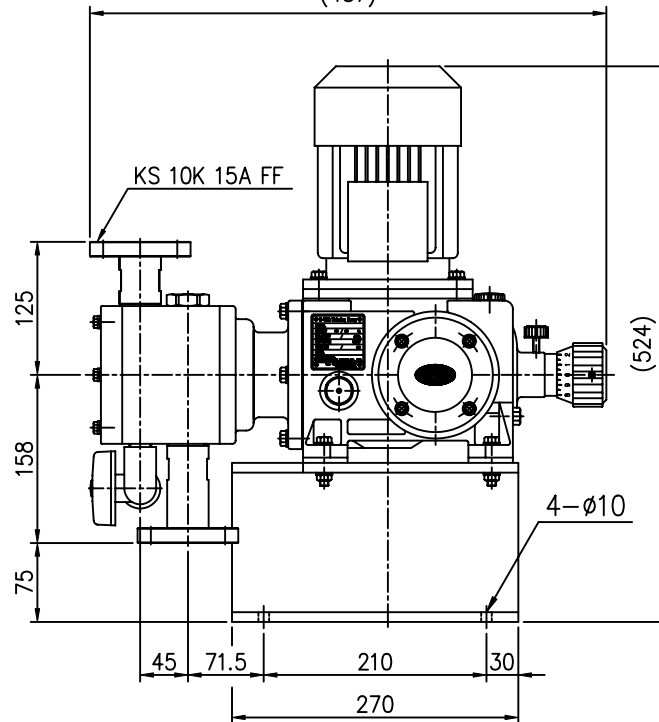


(487)



Sym.	Description	Rev. No.	Date	Confirmed by			
JMD4000PCFD							
▲							
▲							
▲							
▲							
A	No.	Parts No.	Parts Name	Material	Spec.	Weight	Remark

이 도면은 (주)이화정량펌프의 기술 자산입니다. 불법 유출시 관계법과 회사 규정에 의해 처벌 됩니다.

Projection	Trigonometry	Drawing Name	DIMENSIONAL OUTLINE
Scale 1 / 5	Unit mm		
Drawn by 2000.10.15 H.J.SEO	Designed by W. PARK	Checked by W. PARK	Application JMD4000PCFD-15A FF
	Approved by S.C. KIM	Drawing Number	B0021E3028