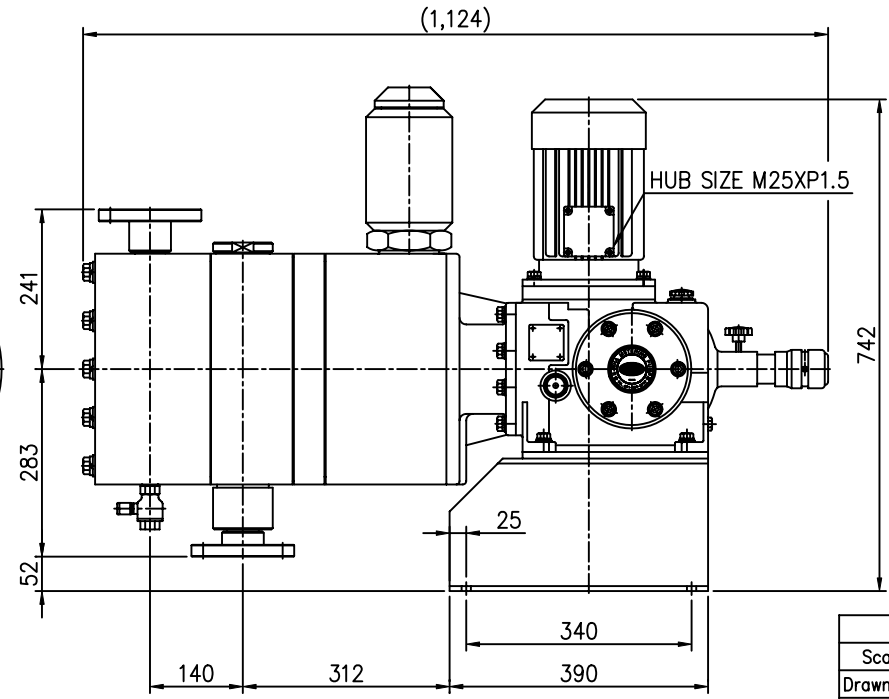
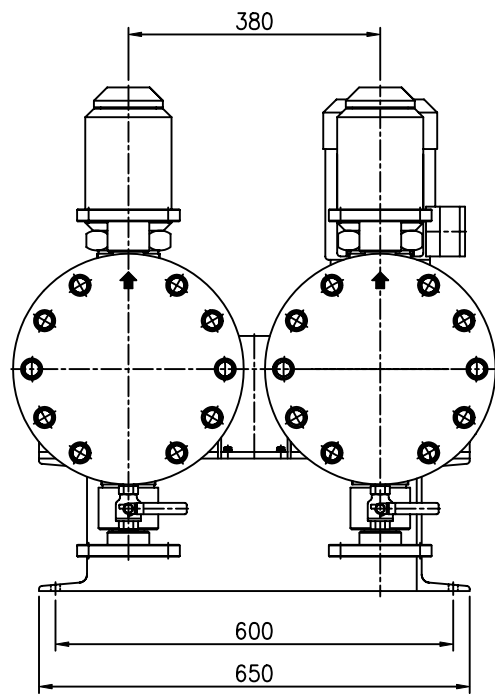
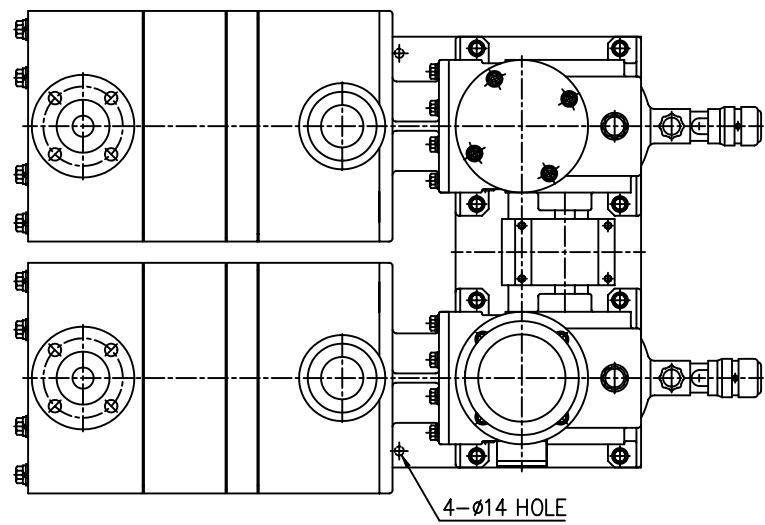


JLSHND100LS4S4F	Sym.	Description	Rev. No.	Date	Confirmed by		
	△						
	△						
	△						
A	No.	Parts No.	Parts Name	Material	Spec.	Weight	Remark



이 도면은 (주)이화정량펌프의 기술
자산입니다. 불법 유출시 관계법과
회사 규정에 의해 처벌 됩니다.

Projection		Trigonometry		Drawing Name	DIMENSIONAL OUTLINE
Scale	1 / 8	Unit	mm		
Drawn by	Designed by	Checked by	Approved by	Application	JLSHND100LS4S4F
2004.01.04	S.Y. JIN	W. PARK	W. PARK	S.C. KIM	Drawing Number
					G0168E3014A