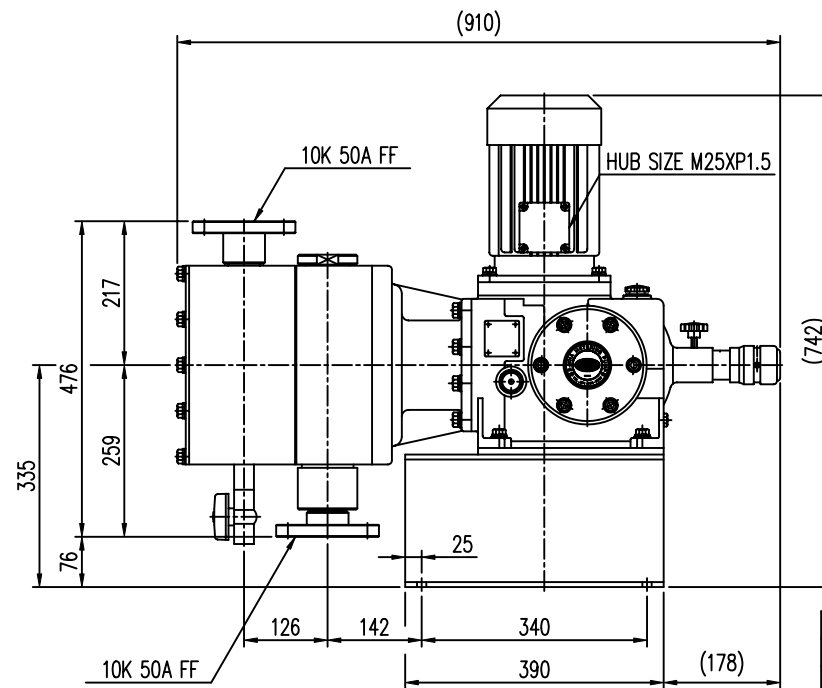
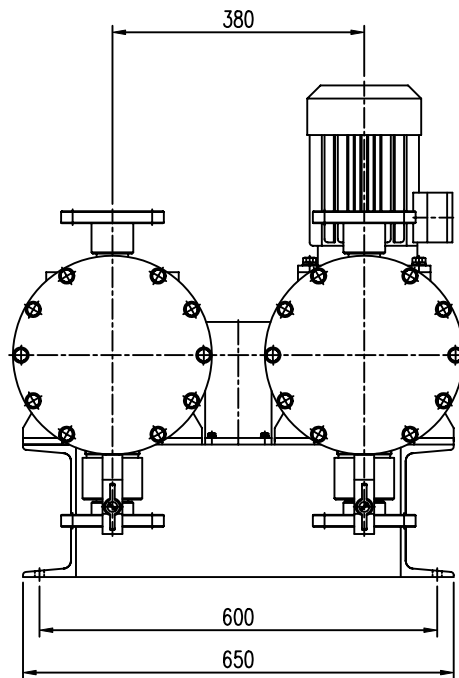
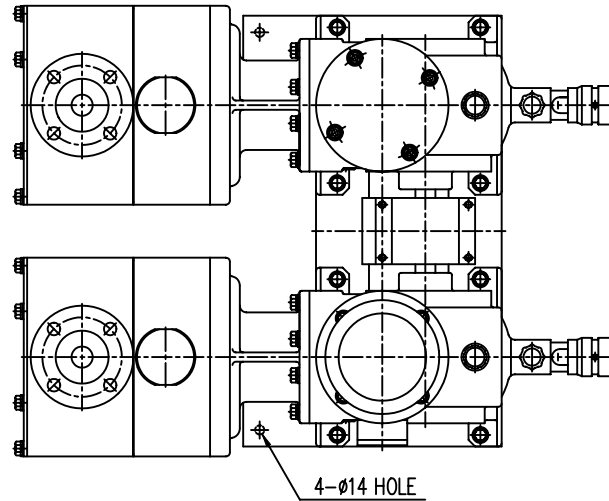


Sym.	Description	Rev. No.	Date	Confirmed by			
JLD80LPCFD							
△							
△							
△							
A	No.	Parts No.	Parts Name	Material	Spec.	Weight	Remark
-	-	-	-	P.V.C.	-	-	-



이 도면은 (주)이화정량펌프의 기술 자산입니다. 불법 유출시 관계법과 회사 규정에 의해 처벌 됩니다.

Projection		Trigonometry		Drawing Name	DIMENSIONAL OUTLINE
Scale	N / S	Unit	mm		
Drawn by	Designed by	Checked by	Approved by	Application	JLD80LPCFD-50A FF
2004.02.21 H.J.SEO	W. PARK	W. PARK	S.C. KIM	Drawing Number	C0007E3016